



PRECISE MEASUREMENT OF MOLTEN METAL TEMPERATURE FOR STEEL PLANTS AND FOUNDRIES

FEATURES

- Easy to use, wall mountable, rugged, reliable and accurate unit that survives the toughest conditions
- Plateau Detection Software
- Indicates true Bath Temperature within seconds
- No false or erratic reading due to microprocessor based accuracy
- Zero Maintenance
- Automatic Error Detection

TEMPMASTER® Model 570 T



TEMPMASTER® Model 430 T



TEMPMASTER® Model 430 T / 570 T is a carefully designed equipment that makes it different from timer based Peak Hold Temperature indicator or recorder. The microprocessor scans the information received from the THERMOTIP in a new and unique way to pinpoint true temperature reading. This PLATEAU DETECTION software ignores erratic and unstable readings caused by slag temperature differentials, furnace hot spots, transient electrical spikes etc. The conversion of millivolts to temperature is also done mathematically to take complete care of nonlinear characteristics of platinum thermocouples, leaving 'no-room' for any false reading. With our THERMOTIPS or MINITIPS it takes about three seconds. This unique system while used with our different types of THERMOTIPS provides you fast and accurate control on molten metal at every stage. Signal lights on the front door indicates measuring sequence. Detection and indication of operational errors are shown on display immediately when observed. In addition to cutting the cost and maintenance free operation, it also gives comfort and safety to operator. Considering lifelong performance and low running cost, Model 570 T / 430 T gives a total economical solution.

Model 570 T transmits the data immediately after the measurement is complete via current loop port, serially to LDU.

Model 430 T is a low cost version of Tempmaster - 570 T for small steel plants and foundries to measure temperature of molten metal without facility for Large Display Unit AVP, Printer and Datalogger.

Advantages of Current loop

- High electrical noise immunity (most suitable for harsh Foundry/Steel Plant environment).
- Only two wire communication (less wiring cost).
- Long distance data transmission capability (Printer/Large Display unit can be located 300 meters away from Model 570 T).
- More than one Model 570 T and / or Printer and / or Large Display units can be connected in series.

Consumables



We manufacture various types of expendable immersion thermocouple tips based on IPTS 68 Standard with thermocouple type R/S/B

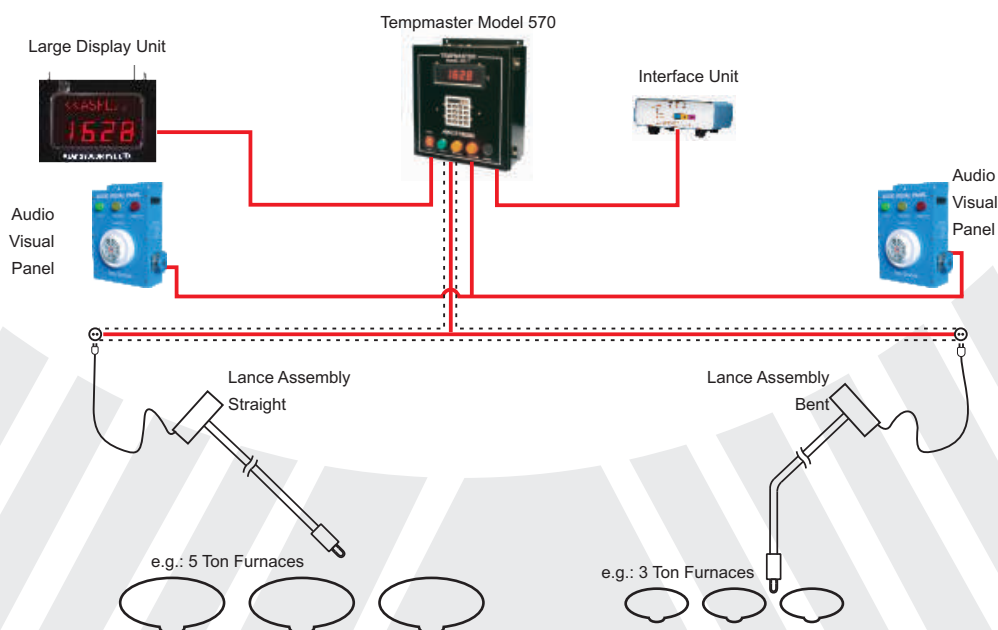
TYPE III & MINITIPS: These are useful to measure temperature of molten metal with slag, single time use. Available in different paper tube lengths.

BMD TIPS: These can be used 6 to 8 times to measure temperature of molten metal in slag free conditions.

TECHNICAL DATA

| Model | 570 T | 430 T |
|---------------------------------------|----------------------------|--------------------|
| Temperature Measuring Range | 540°C to 1800°C | |
| Operating Temperature Range | 0° to 50° C | |
| Temperature Detection Method | Flat Plateau | |
| Power Supply | 230 V AC \pm 10 V, 50 Hz | |
| Power Consumption | 20 Watts | |
| T/C Element | Pt/Pt Rh 10%, 13%, 6/30% | |
| Accuracy | \pm 1° C | |
| Calibration | IPTS 68 or IPTS 48 | |
| Housing | Dust Proof M. S. Cabinet | |
| Linearisation | Throughout the Range | |
| Response Time | 3 to 5 Seconds | |
| Display Size | 1" | 0.6" |
| Facility to Connect LDU, AVP, Printer | Can be Connected | No Provision |
| Size in mm | 305 x 165 x 350 (H) | 215 x 95 x 295 (H) |
| Weight | 7.1 Kg | 3.1 Kg |
| Output Signal (Standard) | Serial Current Loop | - |
| Output Signal (On Request) | RS 232/BCD | - |

TEMPERATURE MEASURING SYSTEM



All our products are certified to meet ISO/QS standards

Specifications may change without prior notice due to continuous development.